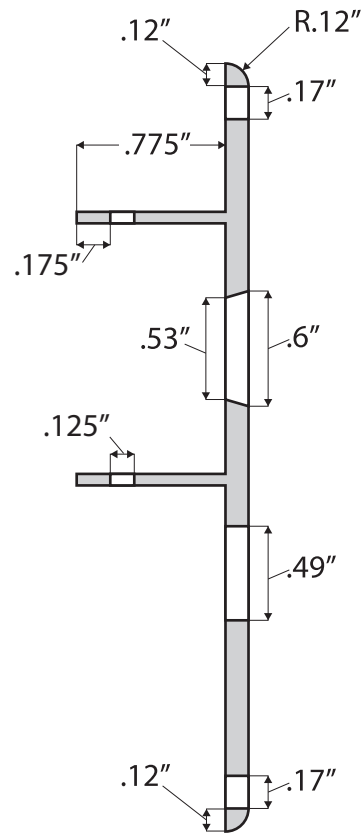
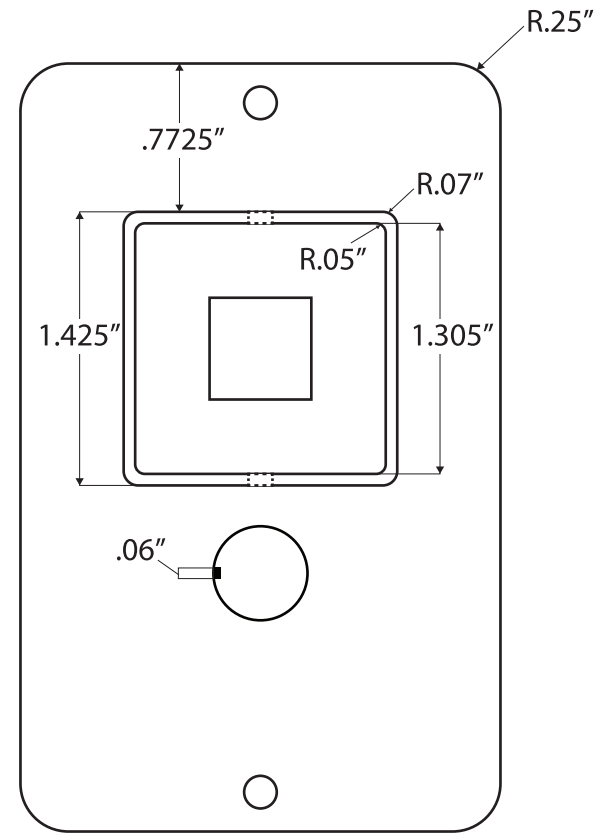


FRONT



SECTIONAL



BACK

Doc. Info:	JABSCO Switch Plate
Design by:	Phil Daley 4/13/2020

