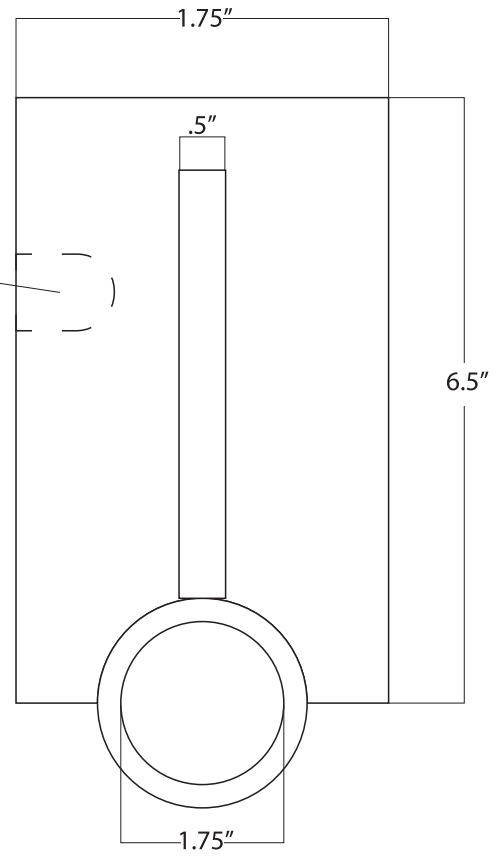
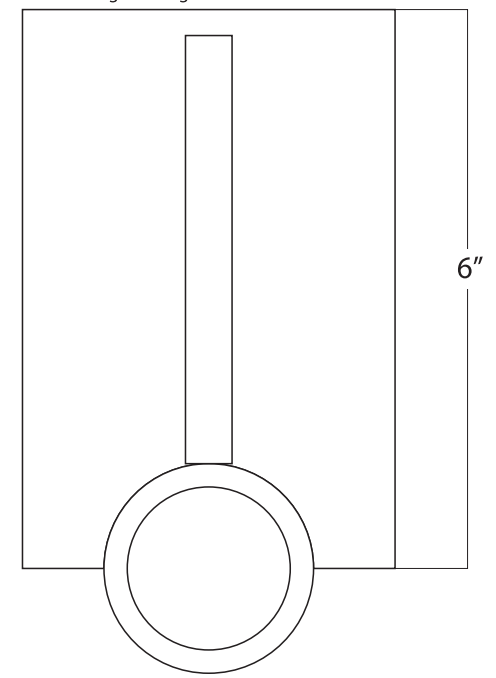


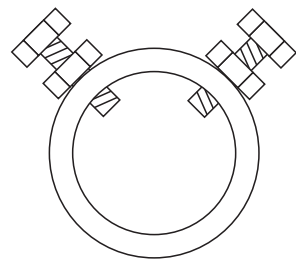
Note: Forward Driver side bracket needs slot cut out for parking break line



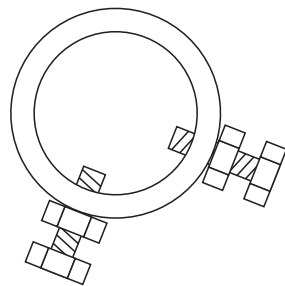
Note: The 2 rear bracket's mounting plates height changes from 6.5" to 6"



Normal Bolt Arrangement



Front Passenger Side Bolt Arrangement



Doc. Info:	JP Jeep Cam Mounts		
Design by:	Phil Daley	5/19/2019	