

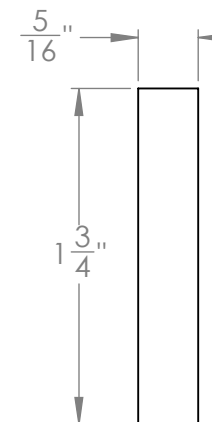
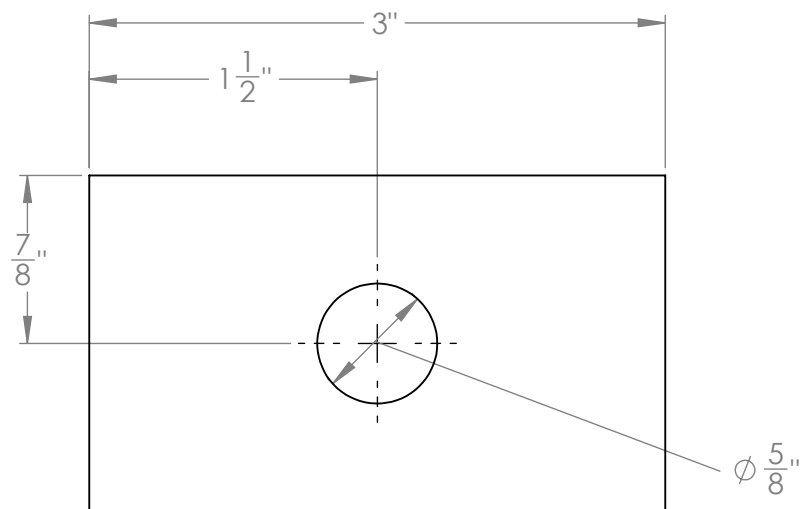
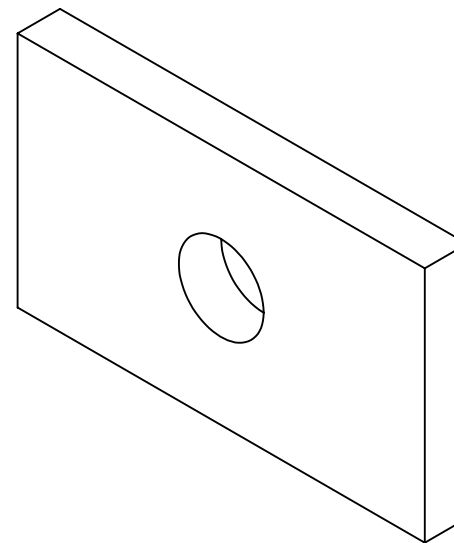
2

1

Note: To be installed on side of channel facing front of gas powered vehicle


B

B



A

A

TITLE / DESCRIPTION		DRAWING NUMBER	
<b>Ramsey 251128 Mounting Channel Spacer for Jeep YJ</b>		KI_0004	
 <p>ALL RIGHTS RESULTING FROM THIS DESIGN ARE RESERVED BY KYTOR INDUSTRIES</p>	DRAWN BY	DATE	REVISION NUMBER
	K. BOTTORFF	2/8/2020	1
	UNLESS OTHERWISE SPECIFIED:	SCALE	WEIGHT
	DIMENSIONS ARE IN INCHES	1:1	0.44 lbs.
TOLERANCES:	SHEET SIZE	MATERIAL	
x.xx ± .1"	A	Steel	
x.xxx ± .03"	SHEET	FINISH	
x.xxxx ± .005"	1 OF 2	Semi Gloss Blk	
FRACTIONAL ± 1/16"			
ANGULAR ± 1 DEG			

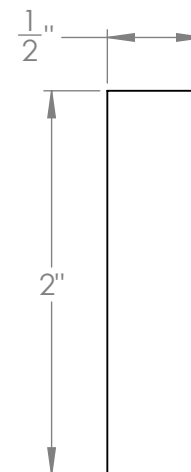
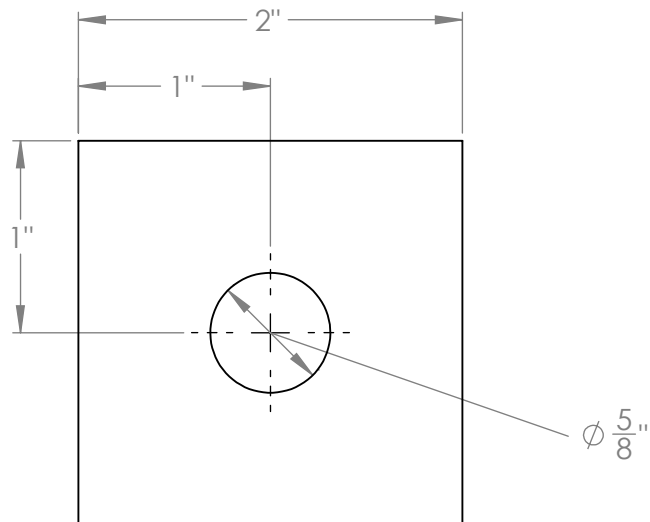
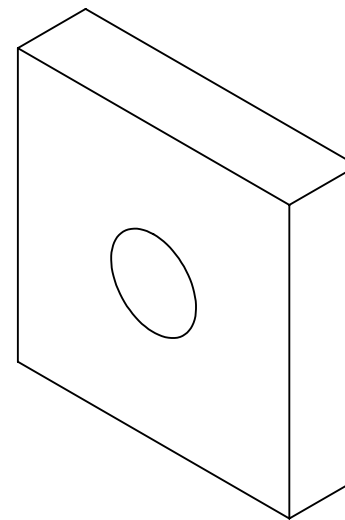
2

1

2

1

Note: To be installed on side of channel facing rear of gas powered vehicle



B


B

A

A

2

1

TITLE / DESCRIPTION		DRAWING NUMBER	
<b>Ramsey 251128 Mounting Channel Spacer for Jeep YJ</b>		KI_0004	
 <p>ALL RIGHTS RESULTING FROM THIS DESIGN ARE RESERVED BY KYTOR INDUSTRIES</p>	DRAWN BY	DATE	REVISION NUMBER
	K. BOTTORFF	2/8/2020	1
DIMENSIONS ARE IN INCHES TOLERANCES: x.xx ± .1" x.xxx ± .03" x.xxxx ± .005" FRACTIONAL ± 1/16" ANGULAR ± 1 DEG	UNLESS OTHERWISE SPECIFIED:	SCALE	WEIGHT
		1:1	0.53 lbs.
		SHEET SIZE	MATERIAL
		A	Steel
	SHEET	FINISH	
	2 OF 2	Semi Gloss Blk	