

FRAME DRAWINGS

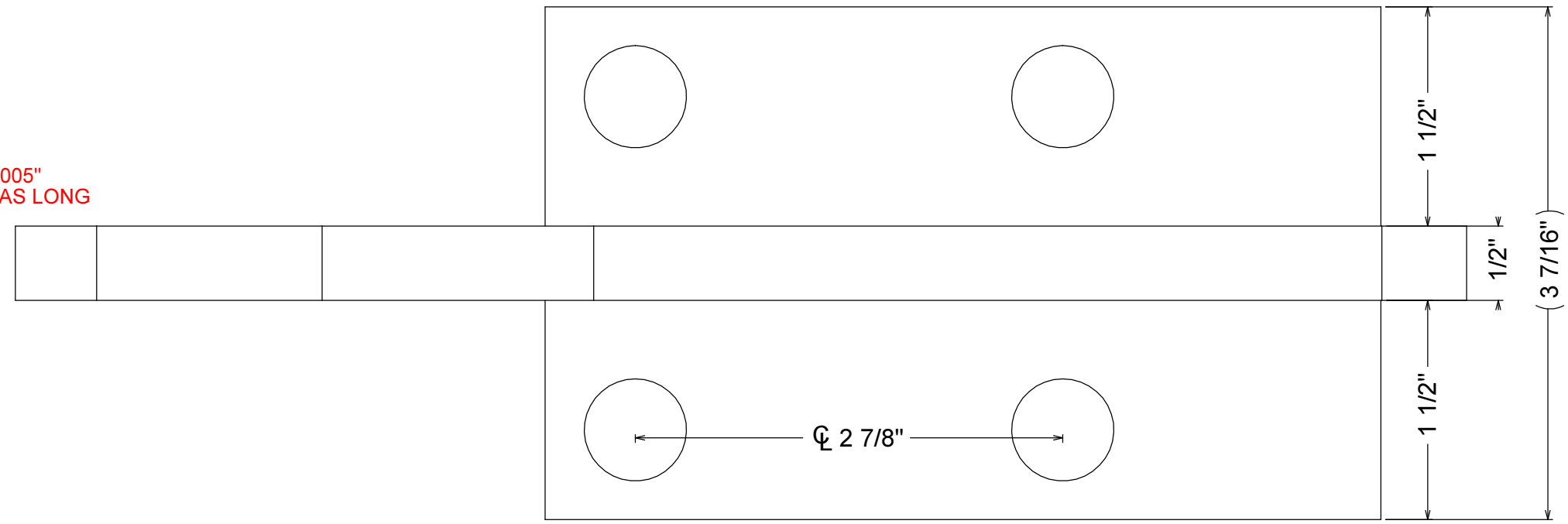
JP TOW EYES

NOTES:

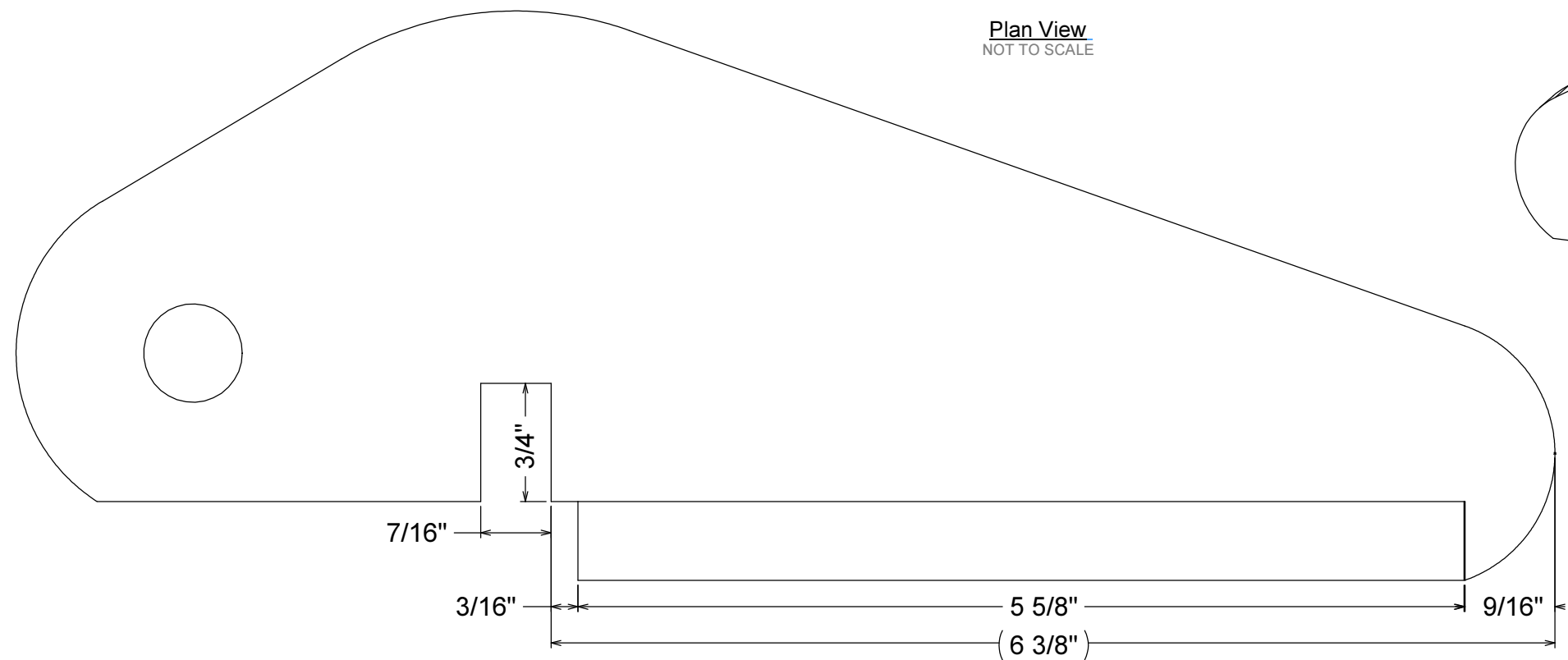
OUTSOURCE NOTES:
MATERIAL- STEEL
FINISH- DE-BURR

-BREAK ALL SHARP EDGES
 -FLATNESS .0625" TOL.
 -HOLE SPACING-CRITICAL +/- .005"
 -OVERALL PART TOL. +/- .050 (AS LONG AS HOLDING CRITICAL HOLE LOCATIONS)

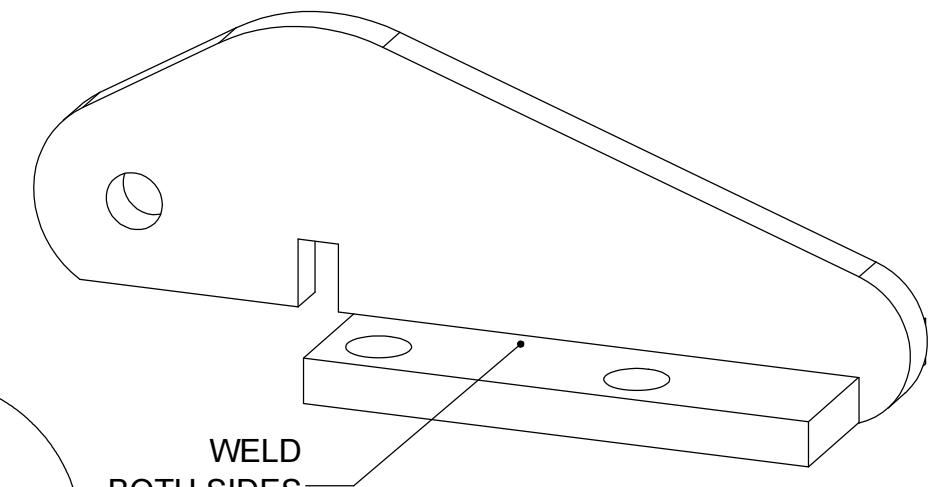
POWDER COATING
GLOSS BLACK
FINISH:SEMI GLOSS



Plan View
 NOT TO SCALE



Side View
 NOT TO SCALE



Iso View
 NOT TO SCALE

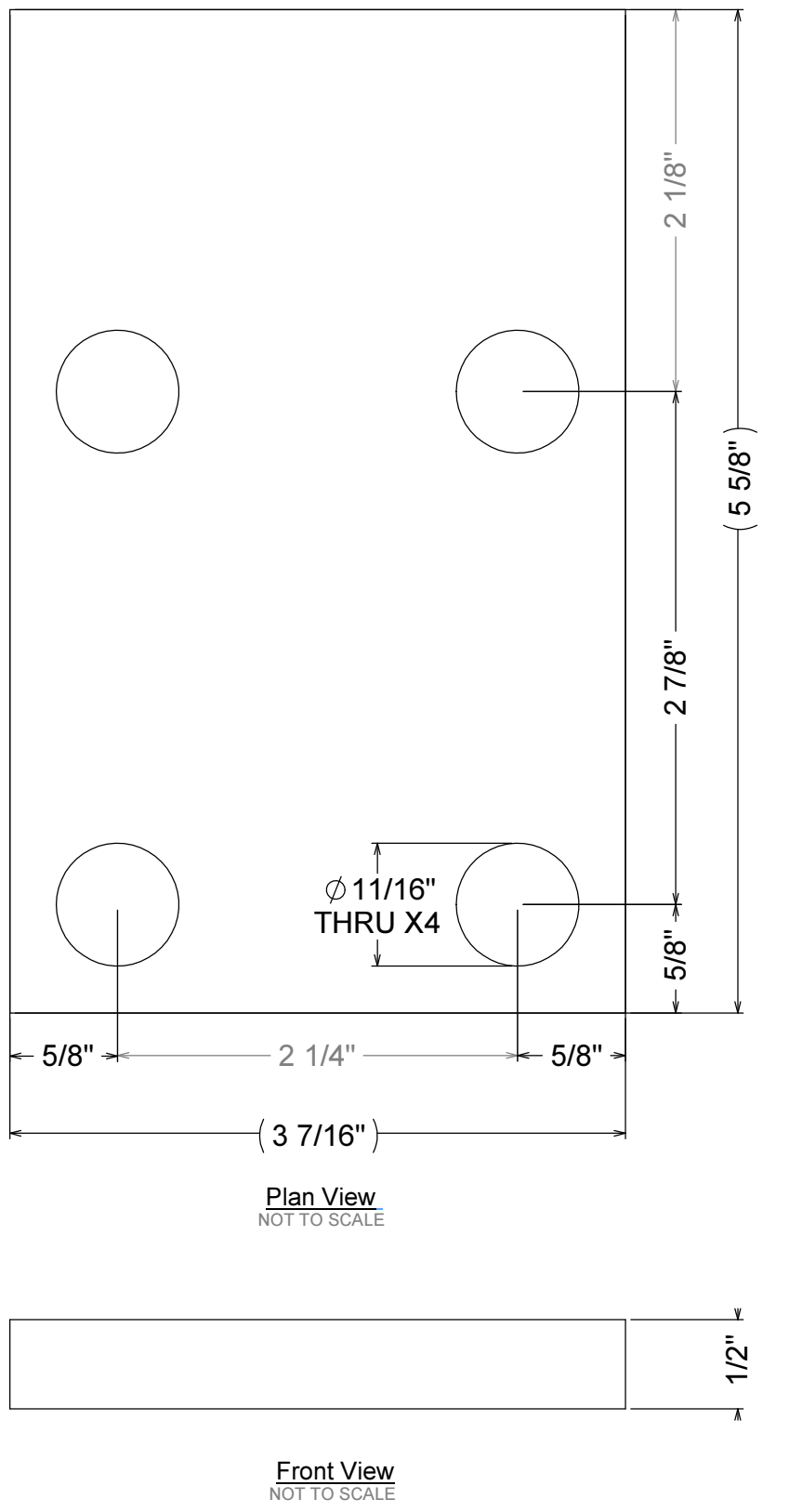
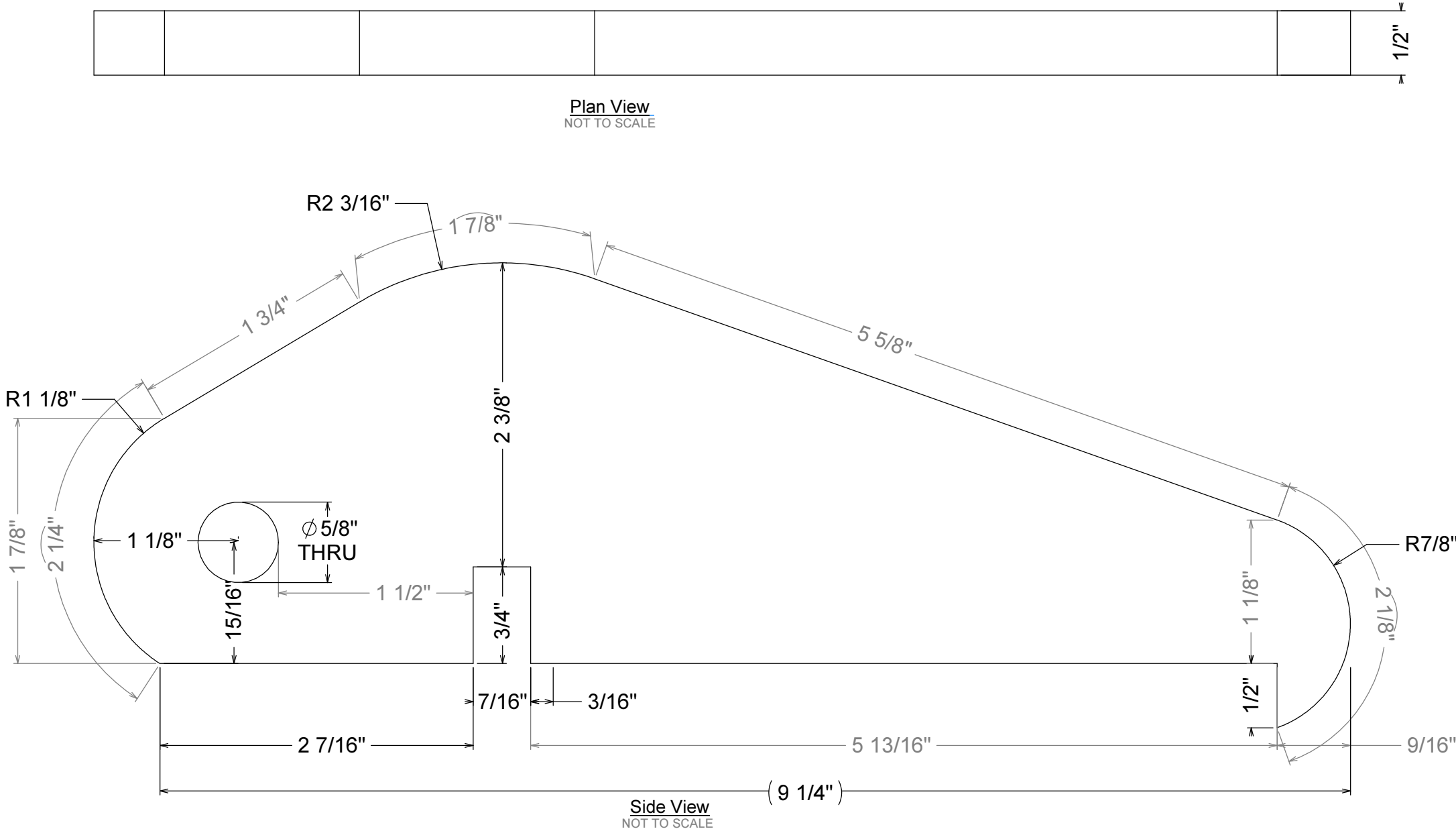
CLIENT: JP MOTORPOOL	PROJECT MANAGER: -	DESIGNER: JHH	W.O.#: -
PROJECT: JP TOW EYES	W.O.DESCRPTION: JP TOW EYES	CURRENT REVISION: R1: SWITCH TO STEEL	LINE ITEM #: -
SHIP DATE: 07/01/2016	QTY: 8	SHEET: 1 OF 2	

PRODUCTION DRAWINGS

OUTSOURCE NOTES:
MATERIAL- STEEL
FINISH- DE-BURR

-BREAK ALL SHARP EDGES
 -FLATNESS .0625" TOL.
 -HOLE SPACING-CRITICAL +/- .005"
 -OVERALL PART TOL. +/- .050 (AS LONG AS HOLDING CRITICAL HOLE LOCATIONS)

POWDER COATING
GLOSS BLACK
FINISH:SEMI GLOSS



PLEASE NOTE:
(2) PROTOTYPES MADE FOR SIZE CHECK
PRIOR TO FAB REMAINING (30)

CLIENT: JP MOTORPOOL	PROJECT MANAGER: -	DESIGNER: JHH	W.O.#: -
PROJECT: JP TOW EYES	W.O.DESCRPTION: JP TOW EYES	CURRENT REVISION: R1: SWITCH TO STEEL	LINE ITEM #: -
SHIP DATE: 07/01/2016	QTY: 8	SHEET: 2 OF 2	